



DESCRIPTIONS

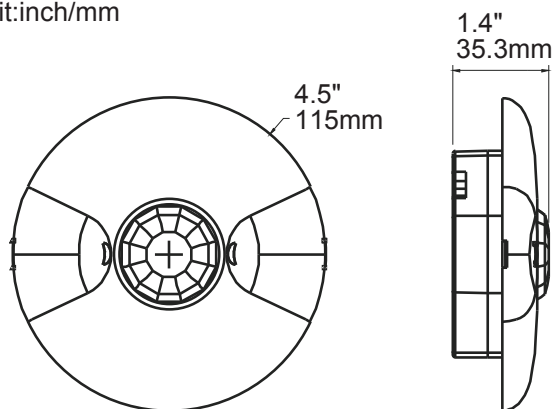
The BMS-L-107S-PIR-1-BLE-KL-CM 360 passive infrared (PIR) occupancy sensor switches lighting on and off based on occupancy detection. The built-in daylight harvesting feature can be enabled to keep lights off when ambient light levels are high. The sensors can be configured to keep lighting on after detection and automatically switch off lighting if no movement is detected for the time-out period.

FEATURES

- Passive infrared (PIR) occupancy sensor
- 360° coverage pattern
- 120-277V Line Voltage input
- Mounting height up to 8ft
- Bluetooth technology

PHYSICAL DIMENSIONS

Unit: inch/mm



TECHNICAL DATA

Input Voltage: AC120-277V
 Frequency: 60Hz
 Incandescent: 800W Max @ 120VAC
 Electronic Ballast: 800VA Max @ 120VAC, 1600VA Max @ 277VAC
 Resistive: 10A Max @ 120VAC
 Motor: 1/4 HP @ 120VAC

Bluetooth Transmit: 100ft Max
 Radio Frequency: 2.4GHz ± 75MHz
 Bluetooth Version: 5.0
 Housing Material: UL 94-5VA
 Indoor Use Only
 Operating Temperature: 0°C to 55°C, 32°F to 131°F
 Storage Temperature: -30°C to 85°C, -22°F to 185°F
 IP Rating: IP20
 Color: White

Comply to UL773A, UL1376, RoHS

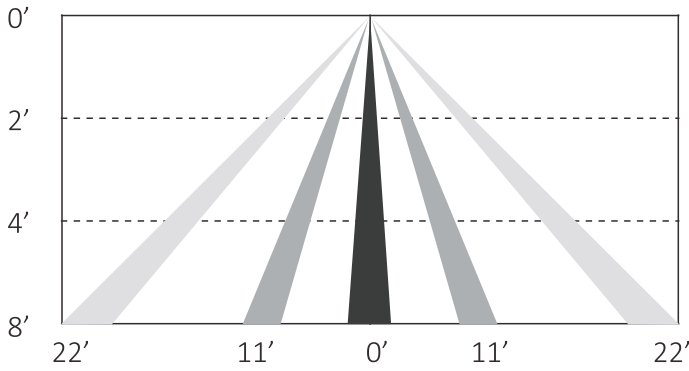
ORDERING INFORMATION

MODEL	DESCRIPTION
BMS-L107S-PIR-1-BLE-KL-CM	Bluetooth Occupancy and Vacancy ceiling Sensor, 120-277V

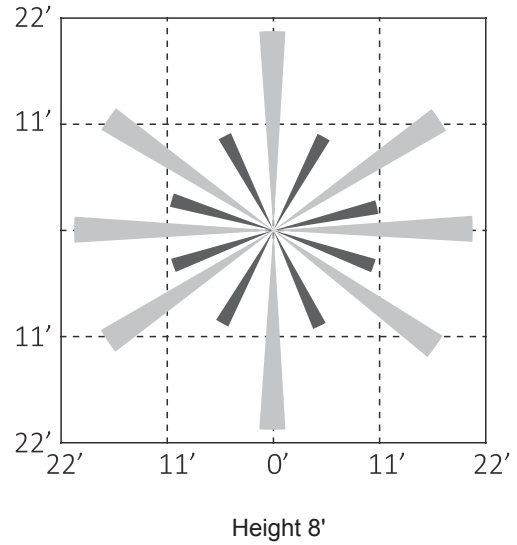
DETECTION AREA

Unit: inch/mm

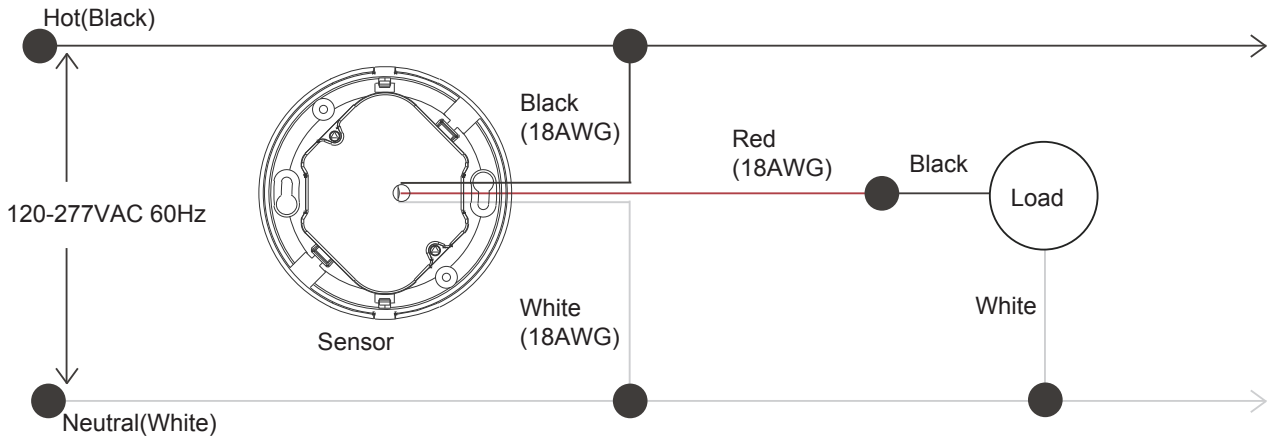
Coverage Side View



Coverage Top View



WIRING DIAGRAM



WARRANTY

Five year limited warranty.

Specifications subject to change without notice.